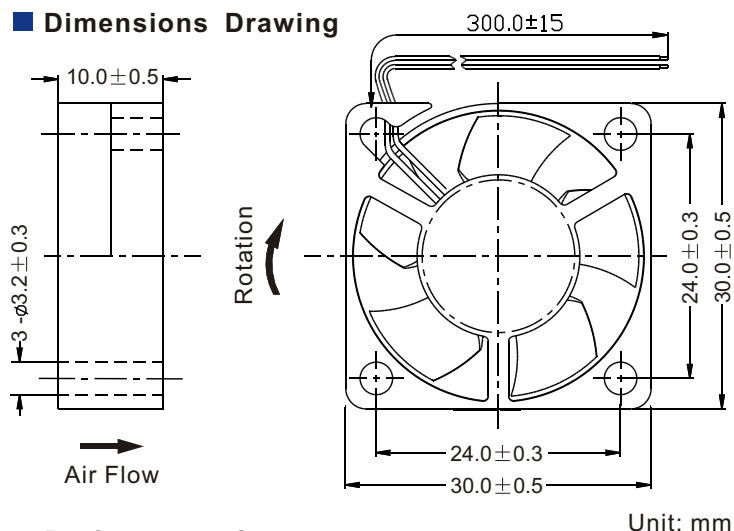


30x30x10mm



■ Dimensions Drawing



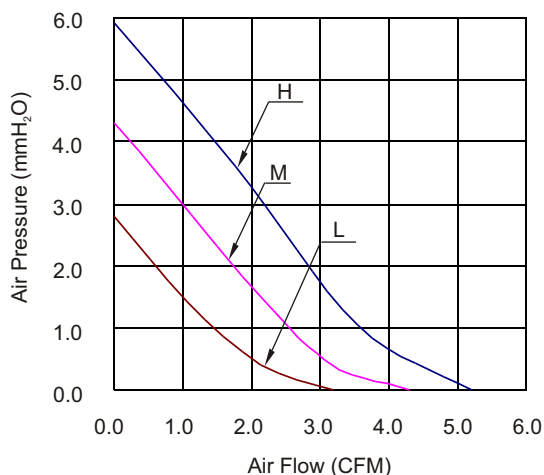
Unit: mm

General Specification:

- Frame and Impeller : Thermal Plastic , UL 94V-0
- Lead Wires : UL Type
(+) : Red (-) : Black
- Operation Temperature : -10°C~70°C、
35%~85%RH
- Storage Temperature : -40°C~80°C、
35%~85%RH



■ Performance Curves



Listed Model	Bearing System	Rated Voltage	Operation Voltage	Rated Current	Rated Speed	Air Flow	Air Pressure	Noise Level	Available Features (Optional)				Weight g
		VDC	VDC	A	RPM	CFM	mmH ₂ O	dBA	Tachometer Output	Rotation Detector	Thermal Control	Pulse Width Modulation	
RDH3010S5	Sleeve	5	4.0~5.75	0.20	11,000	5.2	5.9	32	•	•			8.5
RDM3010S5			4.0~5.75	0.14	9,000	4.3	4.3	27	•	•			
RDL3010S5			4.0~5.75	0.12	7,000	3.2	2.8	23	•	•			
RDH3010B5	Ball		4.0~5.75	0.20	11,000	5.2	5.9	32	•	•			
RDM3010B5			4.0~5.75	0.14	9,000	4.3	4.3	27	•	•			
RDL3010B5			4.0~5.75	0.12	7,000	3.2	2.8	23	•	•			
RDH3010S	Sleeve	12	6.0~13.8	0.10	11,000	5.2	5.9	32	•	•			
RDM3010S			6.0~13.8	0.09	9,000	4.3	4.3	27	•	•			
RDL3010S			6.0~13.8	0.06	7,000	3.2	2.8	23	•	•			
RDH3010B	Ball		6.0~13.8	0.10	11,000	5.2	5.9	32	•	•			
RDM3010B			6.0~13.8	0.09	9,000	4.3	4.3	27	•	•			
RDL3010B			6.0~13.8	0.06	7,000	3.2	2.8	23	•	•			

Notes: ©All readings are typical values at rated voltage.
©Specifications are subjected to change without prior notice.