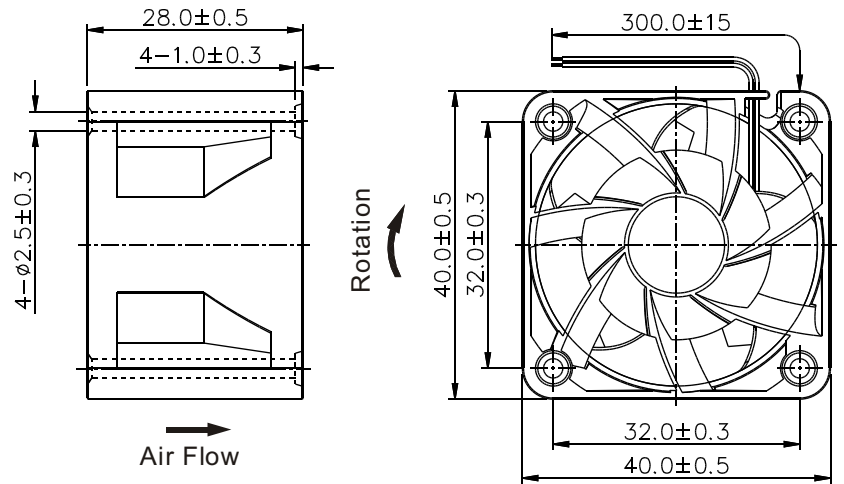


■ Dimensions Drawing



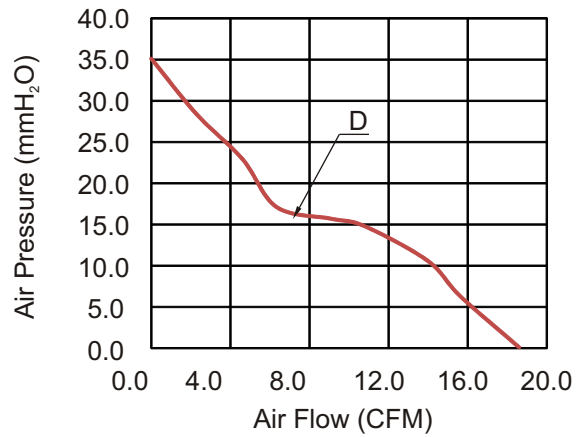
Unit: mm

General Specification:

- Frame and Impeller : Thermal Plastic , UL 94V-0
- Lead Wires : UL Type
(+) : Red (-) : Black
- Operation Temperature : $-10^{\circ}\text{C} \sim 70^{\circ}\text{C}$ 、
 $35\% \sim 85\% \text{RH}$
- Storage Temperature : $-40^{\circ}\text{C} \sim 80^{\circ}\text{C}$ 、
 $35\% \sim 85\% \text{RH}$



■ Performance Curves



Listed Model	Bearing System	Rated Voltage	Operation Voltage	Rated Current	Rated Speed	Air Flow	Air Pressure	Noise Level
		VDC	VDC	A	RPM	CFM	mmH ₂ O	dBA
RGD4028B1	Ball	12	6.0~13.8	0.65	16,000	18.6	35.1	53