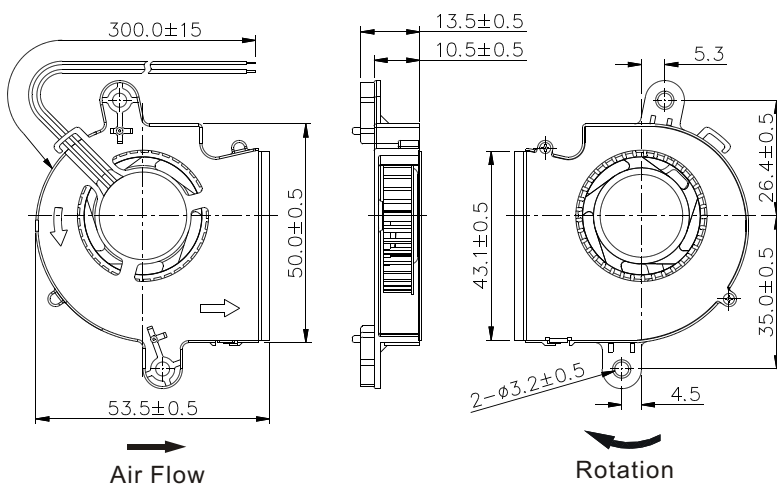




■ Dimensions Drawing

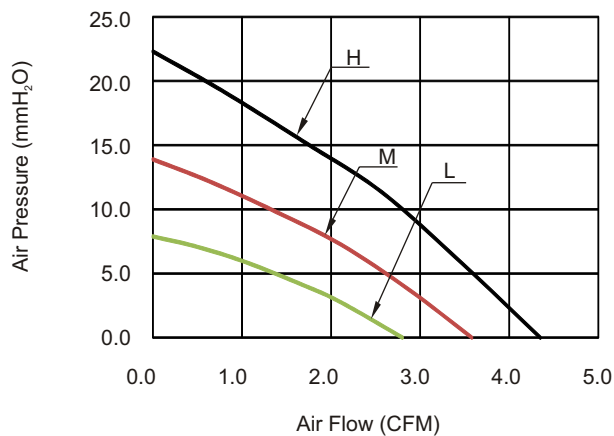


Unit: mm

General Specification:

- Frame and Impeller : Thermal Plastic , UL 94V-0
- Lead Wires : UL Type  
(+) : Red (-) : Black
- Operation Temperature : -10°C~70°C、  
35%~85%RH
- Storage Temperature : -40°C~80°C、  
35%~85%RH

■ Performance Curves



Listed Model	Bearing System	Rated Voltage	Operation Voltage	Rated Current	Rated Speed	Air Flow	Air Pressure	Noise Level	Available Features (Optional)				Weight
		VDC	VDC	A	RPM	CFM	mmH <sub>2</sub> O	dBA	Tachometer Output	Rotation Detector	Thermal Control	Pulse Width Modulation	
RBH5010S	Sleeve	12	6.0~13.8	0.25	6,000	4.4	22.3	38	•	•		•	20.5
RBM5010S			6.0~13.8	0.17	5,000	3.6	13.9	32	•	•		•	
RBL5010S			8.0~13.8	0.10	4,000	2.8	7.9	26	•	•		•	
RBH5010B	Ball		6.0~13.8	0.25	6,000	4.4	22.3	38	•	•		•	
RBM5010B			6.0~13.8	0.17	5,000	3.6	13.9	32	•	•		•	
RBL5010B			8.0~13.8	0.10	4,000	2.8	7.9	26	•	•		•	