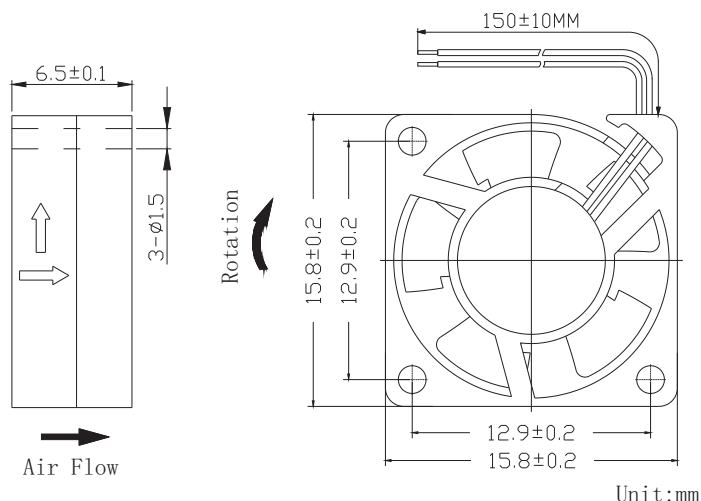


15x15x6mm



■ Dimensions Drawing

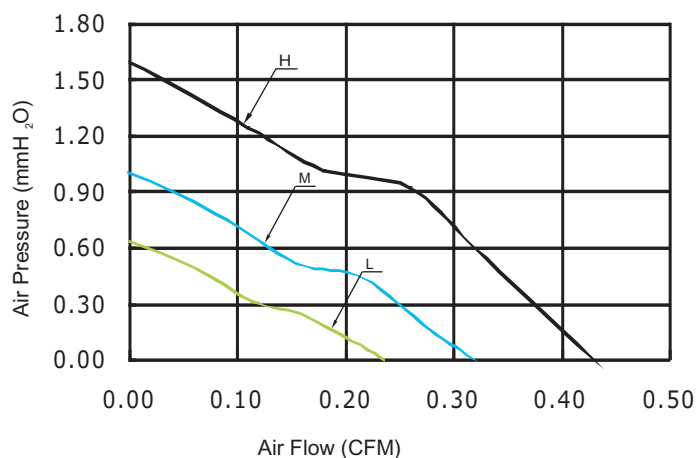


■ General Specification:

- Frame and Impeller : Thermal Plastic , UL 94V-0
- Lead Wires : UL Type
(+) : Red (-) : Black
- Operation Temperature : -10°C ~ 70°C ,
5%~90%RH
- Storage Temperature : -40°C~75°C
5%~95%RH



■ Performance Curves



Listed Model	Bearing System	Rated Voltage	Operation Voltage	Rated Current	Rated Speed	Air Flow	Air Pressure	Noise Level	Available Features (Optional)				Weight g
		VDC	VDC	A	RPM	CFM	mmH ₂ O	dBA	Tachometer Output	Rotation Detector	Thermal Control	Pulse Width Modulation	
RDH1506S5	Sleeve	5	4.0~6.0	0.08	13,000	0.43	1.60	19.63	•				4
RDM1506S5			4.0~6.0	0.07	10,000	0.32	0.96	18.75	•				
RDL1506S5			4.0~6.0	0.06	8,000	0.23	0.61	18.63	•				
RDH1506B5	Ball	5	4.0~6.0	0.08	13,000	0.43	1.60	19.63	•				
RDM1506B5			4.0~6.0	0.07	10,000	0.32	0.96	18.75	•				
RDL1506B5			4.0~6.0	0.06	8,000	0.23	0.61	18.63	•				
RDH1506S03	Sleeve	3.3	3.3~6.0	0.09	10,000	0.32	0.96	18.75	•				
RDL1506S03			3.3~6.0	0.06	8,000	0.23	0.61	18.63	•				
RDH1506B03	Ball	3.3	3.3~6.0	0.09	10,000	0.32	0.96	18.75	•				
RDL1506B03			3.3~6.0	0.06	8,000	0.23	0.61	18.63	•				

Notes: ①All readings are typical values at rated voltage.
②Specifications are subjected to change without prior notice.