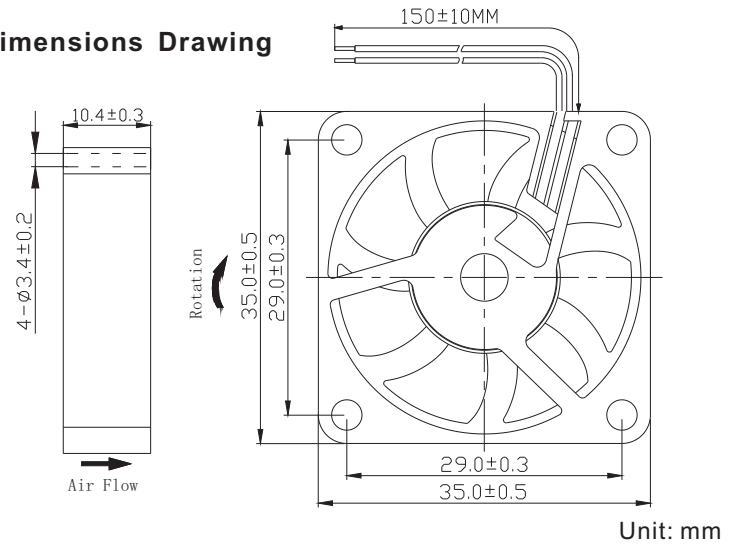


35x35x10mm



■ Dimensions Drawing



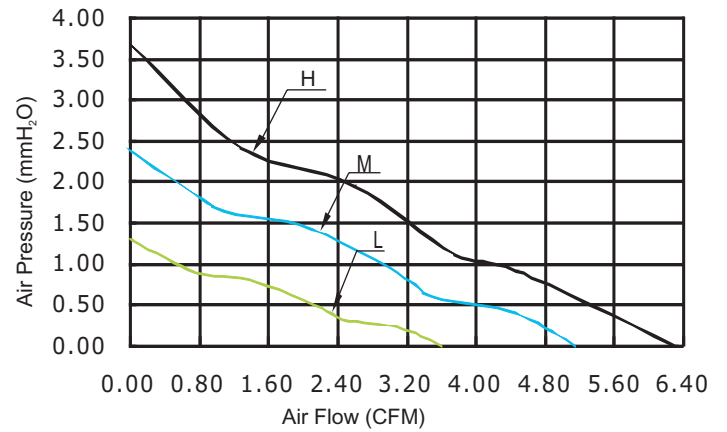
Unit: mm

■ General Specification:

- Frame and Impeller : Thermal Plastic , UL 94V-0
- Lead Wires : UL Type
(+) : Red (-) : Black
- Operation Temperature : -10°C ~ 70°C,
5%~90%RH
- Storage Temperature : -40°C ~ 75°C,
5%~95%RH



■ Performance Curves



Listed Model	Bearing System	Rated Voltage	Operation Voltage	Rated Current	Rated Speed	Air Flow	Air Pressure	Noise Level	Available Features (Optional)				Weight
		VDC	VDC	A	RPM	CFM	mmH ₂ O	dBA	Tachometer Output	Rotation Detector	Thermal Control	Pulse Width Modulation	
RDH3510S1	Sleeve	12	10.8~13.2	0.14	9,000	6.30	3.68	32.37					9
RDM3510S1			10.8~13.2	0.11	7,000	5.06	2.44	25.28					
RDL3510S1			10.8~13.2	0.08	5,000	3.51	1.28	20.26					
RDH3510B1	Ball		10.8~13.2	0.14	9,000	6.30	3.68	32.37					
RDM3510B1			10.8~13.2	0.11	7,000	5.06	2.44	25.28					
RDL3510B1			10.8~13.2	0.08	5,000	3.51	1.28	20.26					
RDH3510S5	Sleeve	5	4.0~6.0	0.23	9,000	6.30	3.68	32.37					9
RDM3510S5			4.0~6.0	0.22	7,000	5.06	2.44	25.28					
RDL3510S5			4.0~6.0	0.13	5,000	3.51	1.28	20.26					
RDH3510B5	Ball		4.0~6.0	0.23	9,000	6.30	3.68	32.37					
RDM3510B5			4.0~6.0	0.22	7,000	5.06	2.44	25.28					
RDL3510B5			4.0~6.0	0.13	5,000	3.51	1.28	20.26					

Notes: ©All readings are typical values at rated voltage.
©Specifications are subjected to change without prior notice.